

Illustrated Parts List - IPL Update



Product Name(s)

565

Description of change

New Crankcase assy.
 New page, SHORT BLOCK introduced, includes Shortblock
 Reason: Improved durability of Crankcase.

Comments

New article Crankcase 590 19 56-04 is fully interchangeable.
 New article Guide bushing 593 80 60-01 is fully interchangeable.

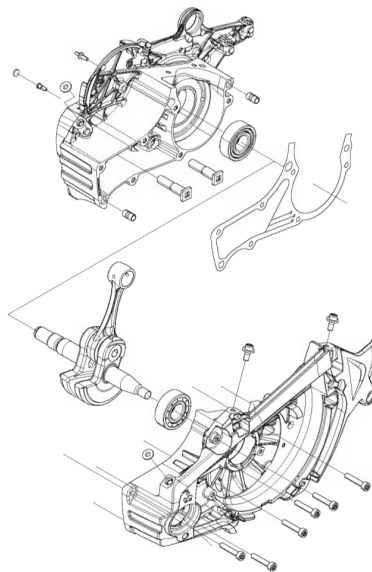
Introduced from

Serial number / Date	Remark
20190600097	CRANKCASE ASSY 590 19 56-04
20190600097	SHORT BLOCK 582 75 20-02
20190600097	GUIDE BUSHING 593 80 60-01

IPL updates

Page Title	Ref. No	New part no	Name	Excl. part no.	Remark
CRANKCASE	1	590 19 56-04	CRANKCASE ASSY	590 16 56-02	
	6	593 80 60-01	GUIDE BUSHING	501 27 08-01	
SHORT BLOCK	1	582 75 20-02	SHORT BLOCK		New spare part

SHORT BLOCK



582 75 20-02